

We ask that you email us pictures of your island with full frontal view, full top view, and full side views. You do not have to crop or size the pictures. JPG or TIF is recommended. Or you can print this page and Fax it to us @ 631-754-4963 - Or Email Scott: IslandCabanas@gmail.com



631-923-0770 Office  
 631-754-4963 Fax  
 631-988-8308 Evenings  
 All times EST

Your Name: \_\_\_\_\_

Your Email: \_\_\_\_\_

If there is no Backsplash, put N/A for dimensions.

What is the width of the Grill \_\_\_\_\_" Depth of Grill \_\_\_\_\_" Height of Grill to highest point \_\_\_\_\_" What make or manufacturer is the Grill \_\_\_\_\_

Space from back of Grill to the Backsplash \_\_\_\_\_"

Depth of the Backsplash \_\_\_\_\_"

Height of the Backsplash \_\_\_\_\_"

Depth from front edge  
to backsplash \_\_\_\_\_"

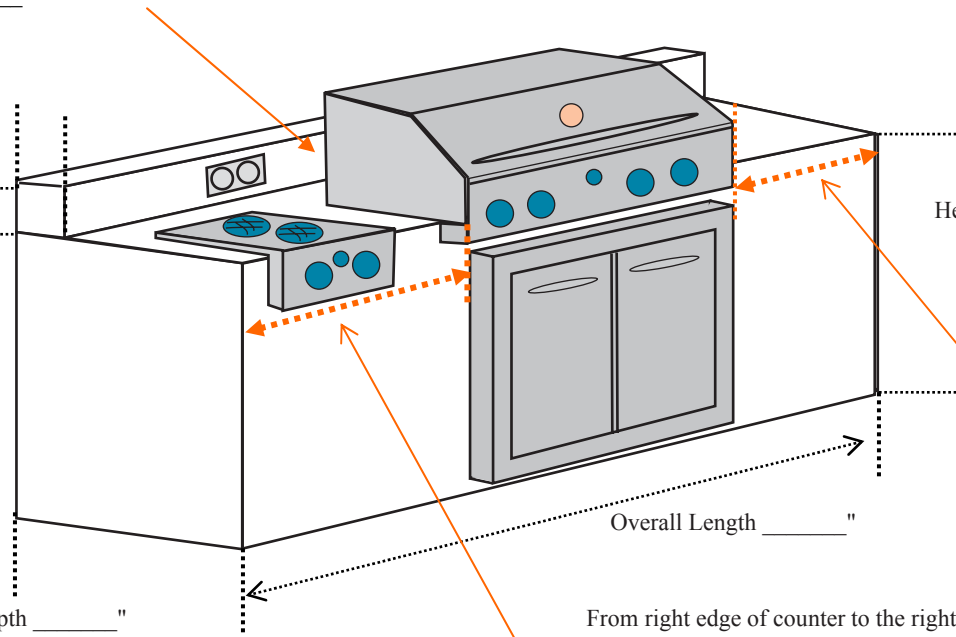
Overall Depth \_\_\_\_\_"

From left edge of counter to the left side of Grill \_\_\_\_\_"

Overall Length \_\_\_\_\_"

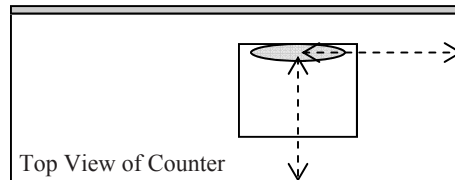
From right edge of counter to the right side of Grill \_\_\_\_\_"

Height \_\_\_\_\_"



If you have a Sink, please indicate on drawing.  
 Locate the Center of the **Faucet** from at least 2 square edges.

Example:



Height of the Faucett \_\_\_\_\_"

Diameter of Faucet \_\_\_\_\_"

Overall Dimensions of Sink: \_\_\_\_\_"w X \_\_\_\_\_"d